

Shaping trees and their protection
against mechanical damage

Horizontal tree
cover

DUMAS

**Aesthetics
Durability**

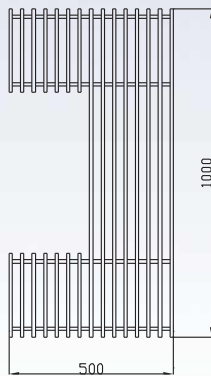
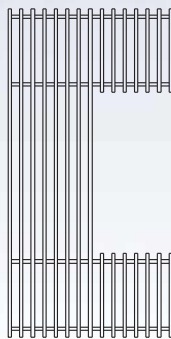
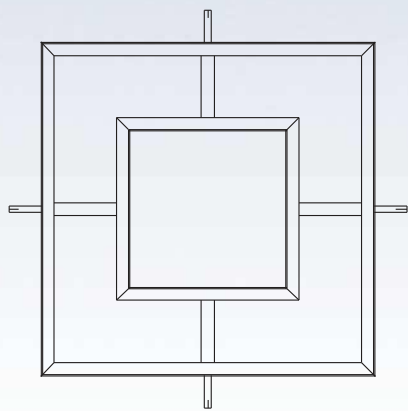
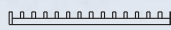
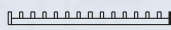
METALTECH-PIASECKI Spółka Jawna
ZAKŁADY MECHANICZNE CYNKOWNIA OGNIOWA
Niechodzka St. 13, 06-400 CIECHANÓW
Phone number 0048 23 674 15 00, 0048 23
674 15 02 fax 0048 23
672 52 15

e-mail: sales@metaltech.pl (sales and marketing department)

www.metaltech.pl


* Shields of trees, in addition to their function, are also a complementary decorative element of our streets.

* Anti-corrosion protection using the "duplex" method, combining hot-dip galvanizing and powder coating, guarantees an extremely long service life without the need for renovation.



The basic colors (RAL)



6005 green 

8017 brown 

7026 grey 

9005 black 

The technical parameters



The size	1000 x 1000 mm
An external construction	Angle 40x40
An internal construction	Flat bar 40x10 i 20x10
Weight	60 kg
Index	wmos-1205AV